

# Functional test cases - I2 – Goods Presentation



Version 1.2

# Table of contents

<b>1.</b>	<b>Introduction.....</b>	<b>2</b>
1.1	Preconditions.....	3
1.2	Process flow.....	3
<b>2.</b>	<b>Test scenarios.....</b>	<b>4</b>
2.1	Detailed test scenarios .....	5
2.1.1	Test 1 - Send I2 – Goods Presentation which is rejected .....	5
2.1.2	Test 2 - Send I2 – Goods Presentation which is accepted.....	5

# Introduction

1

The purpose of this test is that the Economic Operator (EO) can submit an I2 – Goods Presentation for a pre-logged declaration. An I2 – Goods Presentation by the EO to Toldsystemet. However, an I2 – Goods Presentation can be rejected if it does not fulfill the data requirements.

## 1.1 Preconditions

To be able to execute the functional test cases for I2 – Goods Presentation, the EO must have established a connection to Toldsystemet, see also the Connectivity Guide. Second, the submitter must be able to submit a pre-logged declaration followed by an I2 – Goods Presentation. This must be done using the following services:

- DMS.Import.Declaration.Submit
- DMS.Import.Declaration.Amend.GoodsPresented

To endpoint:

<https://secureftpgatewaytest.skat.dk:6384/exchange/CVR <CVR> UID <UID>>

## 1.2 Process flow

The process flow for an I2 – Goods Presentation to a pre-logged declaration can be seen in Figure 1 below.

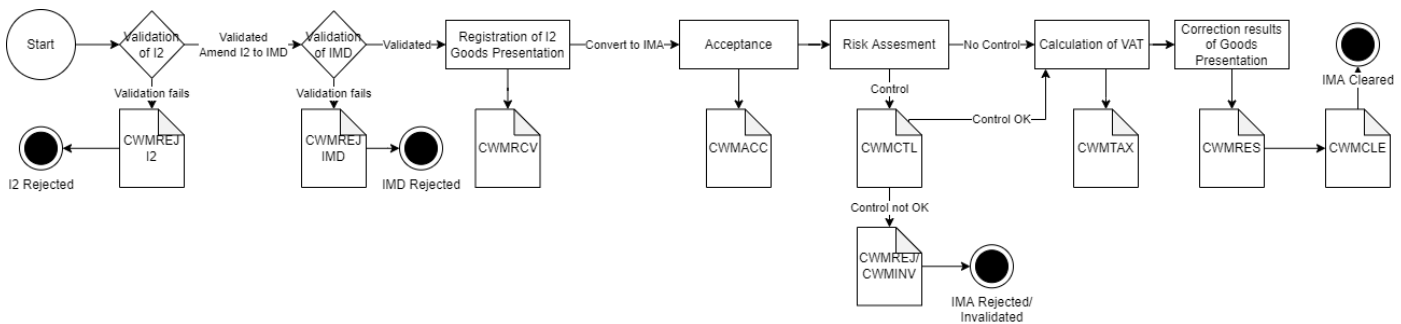


Figure 1 – I2 – Goods Presentation flow

# Test scenarios

2

To complete the functional onboarding phase two, the EO must deliver confirmation of passed test-cases for each test scenario:

Test no	Test Scenario	Passed
1	Send I2 – Goods Presentation which is rejected.	<input type="checkbox"/>
2	Send I2 – Goods Presentation which is accepted.	<input type="checkbox"/>

## 2.1 Detailed test scenarios

The following sections will describe the aim of the specific test scenarios and it will provide the desired results of the test. It should be noted that there can be changes in the notifications provided by Toldsystemet, because the solution is still in development. If at a later point more notifications will be added the EO will be informed about this.

### 2.1.1 Test 1 - Send I2 – Goods Presentation which is rejected

The aim of Test 1 is to test if the EO can obtain notification that the I2 – Goods Presentation has been rejected.

**Passed when a CWMREJ notification has been received after the I2 – Goods Presentation.**

**Test steps:**

- Submit initial H7 declaration – you can use the provided IMD.xml (remember to fill in LRN)
- Test for wrong content by sending an I2 – Goods Presentation with invalid data:

```
<ns3:GoodsLocation>  
<ns3:Name>DKFDH-0003</ns3:Name>  
<ns3:TypeCode>A</ns3:TypeCode >  
<ns3:IdentificationType>Z</ns3:IdentificationType>  
</ns3: GoodsLocation>
```

- Fill in the invalid data in I2 – Goods Presentation XML – you can use the provided I2\_test1.xml, fill the XML with LRN and assigned MRN and submit the XML.
- Pull notification to see that I2 – Goods Presentation has been rejected – indicated by the **CWMREJ** notification.

### 2.1.2 Test 2 - Send I2 – Goods Presentation which is accepted

The aim of Test 2 is to test if the EO can obtain notification that the I2 – Goods Presentation has been accepted, including the following notifications.

**Passed when the CWMRCV, CWMACC, CWMTAX, CWMRES and CWMCLE notifications has been received after the I2 – Goods Presentation.**

**Test steps:**

- Submit initial H7 declaration – you can use the provided IMD.xml (remember to fill in LRN)
- Send in an I2 – Goods Presentation with valid data:

```
<ns3:GoodsLocation>  
  <ns3:Name>DKFDH-0003</ns3:Name>  
  <ns3:TypeCode>A</ns3:TypeCode >  
  <ns3:IdentificationType>U</ns3:IdentificationType>  
</ns3: GoodsLocation>
```

- Fill in the valid data in an I2 – Goods Presentation XML – you can use the provided I2\_test2.xml, fill the XML with LRN and assigned MRN and submit the XML.
- Pull notification to see notification of the results of the I2 – Goods Presentation, indicated by receiving **CWMRCV**, **CWMACC**, **CWMTAX**, **CWMRES** and **CWMCLE** notifications.

